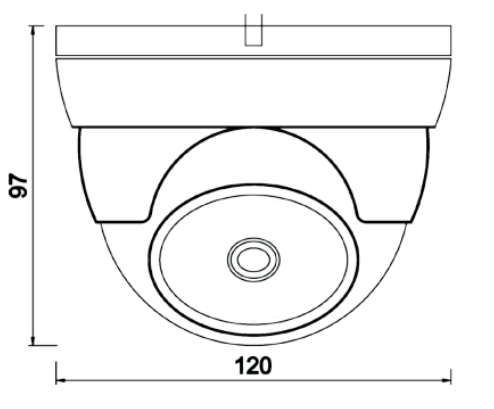


λ | C O R T E X

5MP FIXED IR TURRET CAMERA



C-TUR-5MP-FG36
C-TUR-5MP-FW36



Key Features

Power Supply: DC12V / PoE (802.3af)
Power Consumption: <3W
Weather Proof: IP67
IR Range: Up to 30M
Dimensions: Φ120mm*86mm
Weight: 800g

| SPECIFICATION | C-TUR-5MP-FG36 / C-TUR-5MP-FW36 |
|-------------------------|--|
| Image Sensor | 1/2.7" Progressive Scan CMOS Sensor |
| Min. Illumination | 0.001 Lux (F1.2), 0 Lux (IR on) |
| Shutter Time | Auto, 1/25 ~ 1/10000s |
| Lens & Mount | 2.8mm - Mount M12 |
| Day & Night | IR cut filter with auto switch |
| Wide Dynamic Range | >80dB |
| Digital Noise Reduction | 3D NR |
| S/N Ratio | ≥50db (AGC OFF) |
| Privacy Masking: | Up to 4 areas |
| Video Compression | H.265 / H.265+ / H.264 & MJPEG - H.265 code main profile |
| Video Bit Rate | 32KB ~16Mbps, support VBR, CBR |
| Dual Stream | Dual-stream encoding |
| Resolution | 2592x1944 / 2048x1536 / 1080P(1920x1080) / D1(704x576) / VGA(640x480) / QVGA(320x240) |
| Frame Rate | Main Stream: 2592x1944(1~15fps); 2048x1536 / 1080P (1 ~ 25/30fps). Sub Stream: D1(704x576) / VGA(640x480) / QVGA(320x240) (1 ~ 25/30fps) |
| Smart Coding | Support low code rate, ROI area coding, support 4 ROI area |
| Smart Detect | Support block detection, defocus detection, brightness detection, colour detection, sound detection, remnants detection, motion detection, virtual cordon, regional invasion |
| Smart Control | Support intelligent control alarm on, alarm off, fault clearing, intelligent noise reduction |
| Network Storage | Video record, Picture format |
| Alarm Trigger | Manual, Automatic (motion detection, alarm, schedule, cycle) |
| Protocols | IPv4/IPv6, HTTP, TCP/IP, UDP, RTP, RTSP, RTCP, DNS, DDNS, DHCP, FTP, PPPOE, SMTP, UPNP |
| Alarm Data Transmission | FTP, E-mail, Browser, CMS |
| Access Standard | Support latest ONVIF2.42 / GB28181 / SDK |
| APP | iPhone, iPad, Android |
| Communication Interface | 1 RJ45 10M/100M Ethernet interface |
| Operating Conditions | -20°C ~ +55°C, Less than 90% RH |

