



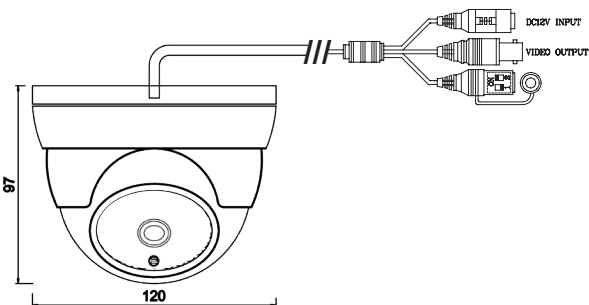
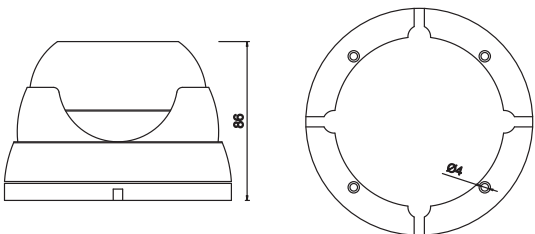
QVIS® | 4-IN-1 EYEBALL CAMERA

1080P FULL HD DIGITAL CAMERA • AHD • TVI • CVI • 960H

KEY FEATURES

- 1080P/2.4MP
- Day & night
- Sens-Up
- 3DNR Noise Reduction
- IP66 rating
- IR cut filter
- Wide dynamic range (WDR)
- Armoured housing

DIAGRAM Unit (mm)



| SPECIFICATION | Q-TUR-VFG36 / VFW36 |
|-------------------------|---|
| CAMERA | |
| Image Sensor | 1/2.7" 1080P Full HD digital image sensor |
| Signal System | PAL/NTSC |
| Active Pixels | 1928(H) × 1088(V) |
| Lens | 2.8 – 12mm 2.4MP Varifocal Lens |
| Angle of View | H:97° |
| Horizontal Resolution | 1080P |
| S/N Ratio | >50 dB (AGC off) |
| Min Illumination | 0 Lux (IR ON - IR-cut technology) |
| S/N Ratio | ≥50db (AGC OFF) |
| Menu | UTC Control |
| Language | ENG/CHN/ITA/SPA |
| Auto Electronic Shutter | PAL:1/50 - 1/100,000 sec NTSC:1/60 - 1/100,000 sec |
| DNR | 0-15 |
| D-WDR | ON/OFF |
| Auto Gain Control | Built-in |
| Video Output | AHD / TVI / CVI / CVBS Factory default is AHD |
| Power Supply | DC12V±10% |
| Current Consumption | 90 mA (IR OFF), 330 mA (IR ON) |
| IR Led | 36 pcs |
| IR Distance in Effect | Up to 30M |
| IP Rating | IP66 |
| Storage Temperature | -50°C ~ +90°C |
| Operating Temperature | -30°C ~ +70°C |
| Dimension | Φ120*86mm |
| Weight | 800g |

