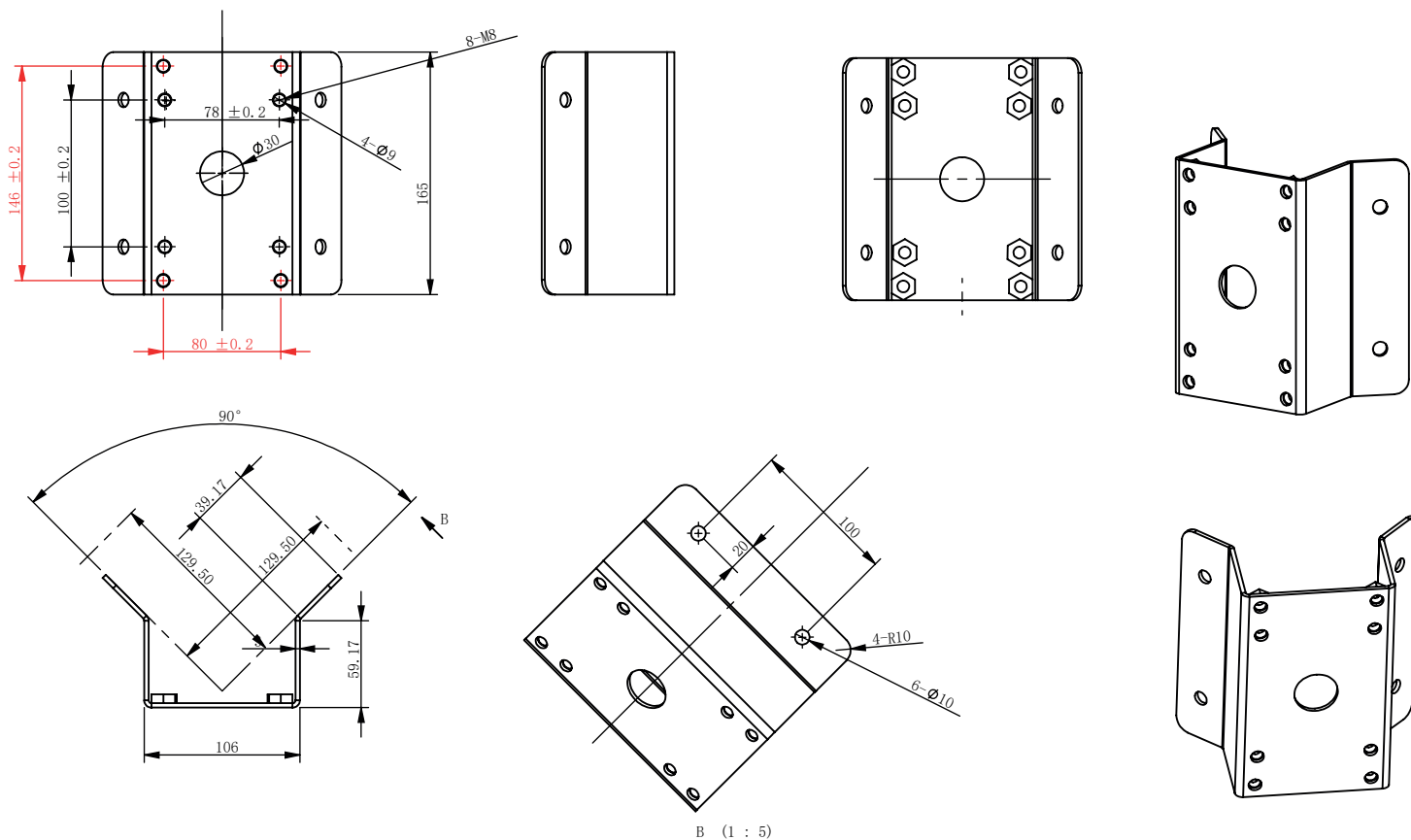




QVIS® | IP PTZ CORNER

| SPECIFICATION | IPTZ-CORNER |
|-----------------------|----------------------|
| Material | Acd12 |
| Dimension (wxhxd) | 163mm x 90mm x 165mm |
| Operating Temperature | -35°C ~ +60°C |
| Humidity | <90% No condensing |
| Loading Bear | 15Kg |
| Weight | 1180G |

DIAGRAM



B (1 : 5)