

# Cabinets

## RackyRax Pro Range - Floor Standing Cabinets

The range of 19" Floor Standing Cabinets are an ideal solution for housing network hardware and patching equipment. The robust design makes them suitable for use in IT departments and offices. The cabinets are available in various configurations and are supplied fully assembled. Each cabinet utilises a ventilated top and four 19" adjustable front and rear mounting posts.

The cabinets feature lift-off sides and a lockable door for maximum access to the internal equipment, with cable access in the base for convenient routing of network cables. The side panels can be fitted with cabinet locks. The cabinet frameworks are finished in black with a Perspex lockable front door. These 19" Floor Standing Cabinets incorporate the essential features for data communication environments - security, durable construction, easy access and protection from dust or contamination for the network equipment.

### Features and Benefits

- Removable and lockable side panels
- Optional fan-unit into the roof or 19inch rack mount type fan unit
- Vertical mounting rails are adjustable throughout the entire depth of the cabinet.
- High load carrying capacity (800kg)
- With 1.5mm thickness silk-screen mounting rails.
- Tempered safety glass front door, t:4mm
- Sheet steel rear door
- 800 x 800 cabinets have wardrobe style front and rear doors.

Technical Data	
Colour	RAL 9005 Black colour
Standards	ISO9001-2015 TS EN 61587-1 :2012, 5.2.1 and 5.2.2 CE According the IEC/ISO 17050 - EN 62208:2011 & EN 60335-1
Material	Sheet Steel, DIN EN 10130-99 / DC-01 6112 / DC-7122
IP Rating	IP20
Load Carrying Capacity	800Kg

### Accessories

A full range of cabinet accessories are available including; wall mounting frames, PDUs, fixed shelves, telescopic shelves, castors, cage nuts, baying kits, roof mounting fan units and plinths. See the cabinet accessories page.



600 x 800 Front Open

# Cabinets

## RackyRax Pro Range - Floor Standing Cabinets



800 x 800 Front open



800 x 800 Rear Open



800 x 600 Front Open

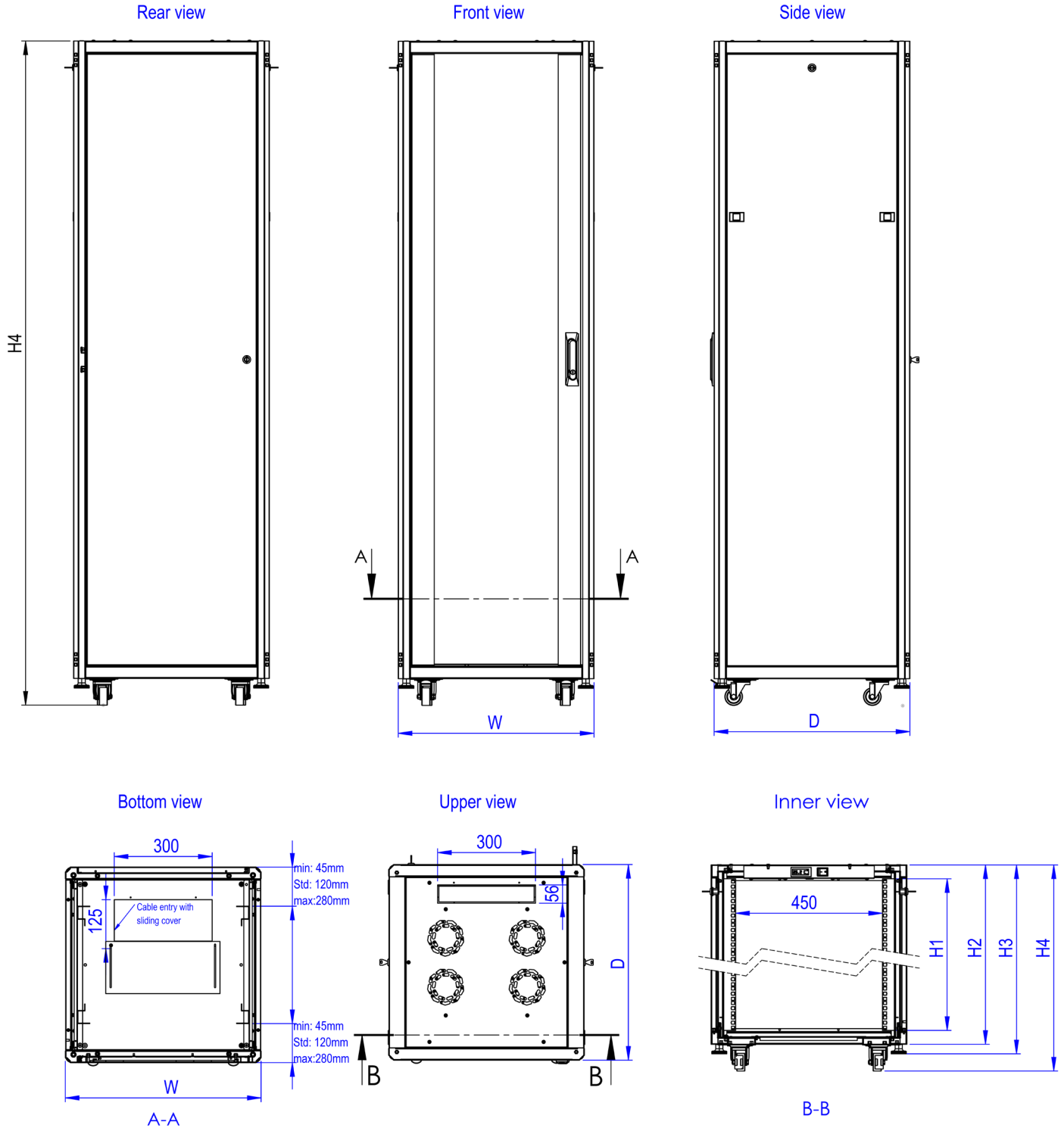
# Cabinets

## RackyRax Pro Range - Floor Standing Cabinets

Part Number 600 x 600	U Height	W (mm)	D (mm)	H (mm)	Net Weight (kg)	Gross Weight (kg)
RR-F1-12-P-G	12U	600	600	622	31	37
RR-F1-18-P-G	18U	600	600	888	47	53
RR-F1-21-P-G	21U	600	600	1022	54	61
RR-F1-24-P-G	24U	600	600	1155	61	68
RR-F1-27-P-G	27U	600	600	1288	67	74
RR-F1-39-P-G	39U	600	600	1822	91	99
RR-F1-42-P-G	42U	600	600	1955	98	106
RR-F1-45-P-G	45U	600	600	2088	115	640
Part Number 600 x 800	U Height	W (mm)	D (mm)	H (mm)	Net Weight (kg)	Gross Weight (kg)
RR-F2-12-P-G	12U	600	800	622	31	37
RR-F2-18-P-G	18U	600	800	888	49	59
RR-F2-21-P-G	21U	600	800	1022	56	66
RR-F2-24-P-G	24U	600	800	1155	63	73
RR-F2-27-P-G	27U	600	800	1288	69	79
RR-F2-39-P-G	39U	600	800	1822	93	104
RR-F2-42-P-G	42U	600	800	1955	100	112
RR-F2-45-P-G	45U	600	800	2088	108	120
Part Number 800 x 600	U Height	W (mm)	D (mm)	H (mm)	Net Weight (kg)	Gross Weight (kg)
RR-F3-12-P-G	12U	800	600	622	33	42
RR-F3-18-P-G	18U	800	600	888	49	59
RR-F3-21-P-G	21U	800	600	1022	56	66
RR-F3-24-P-G	24U	800	600	1155	63	73
RR-F3-27-P-G	27U	800	600	1288	69	79
RR-F3-39-P-G	39U	800	600	1822	93	104
RR-F3-42-P-G	42U	800	600	1955	100	112
RR-F3-45-P-G	45U	800	600	2088	108	120
RR-F3-47-P-G	47U	800	600	2178	116	116
Part Number 800 x 800	U Height	W (mm)	D (mm)	H (mm)	Net Weight (kg)	Gross Weight (kg)
RR-F4-12-P-G	12U	800	800	622	35	46
RR-F4-18-P-G	18U	800	800	888	51	62
RR-F4-21-P-G	21U	800	800	1022	58	70
RR-F4-24-P-G	24U	800	800	1155	65	77
RR-F4-27-P-G	27U	800	800	1288	71	83
RR-F4-39-P-G	39U	800	800	1822	95	108
RR-F4-42-P-G	42U	800	800	1955	102	116
RR-F4-45-P-G	45U	800	800	2088	110	124

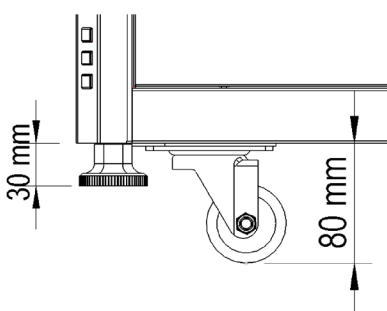
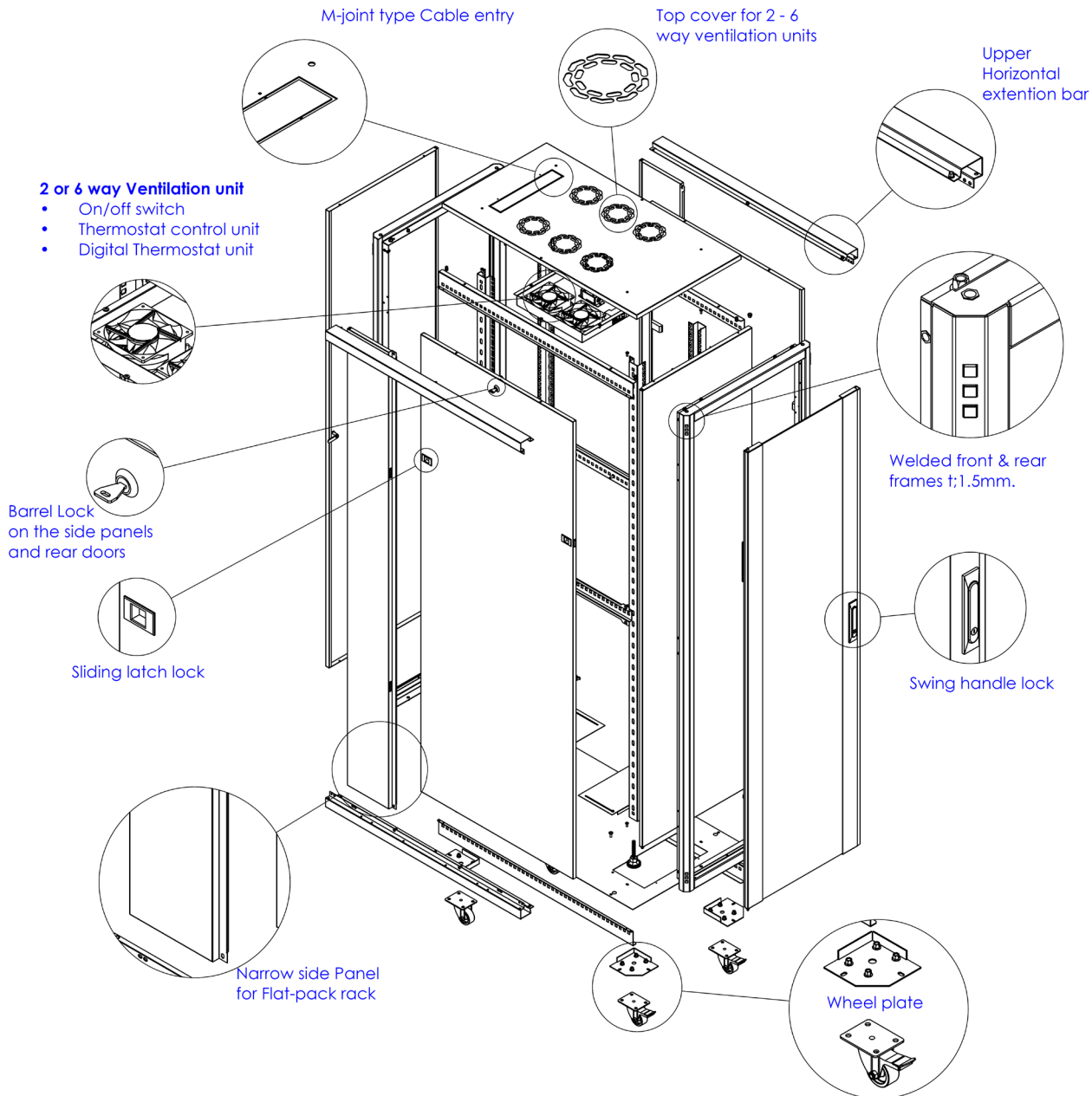
# Cabinets

## RackyRax Pro Range - Floor Standing Cabinets

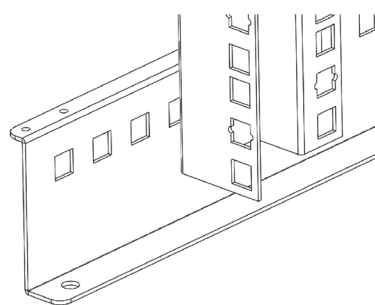


# Cabinets

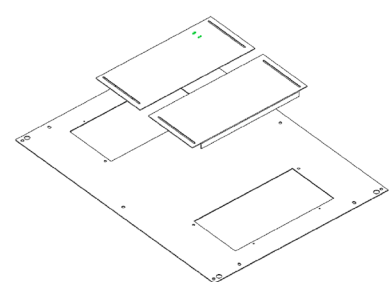
## RackyRax Pro Range - Floor Standing Cabinets



Wheel and Levelling feet



19" Mounting rail and Z-shape Horizontal bar



Front and rear cable entry panel with sliding cover