

# DH-HAC-ME1509TH-A-PV

5MP HDCVI Full-Color Active Deterrence Fixed Bullet Camera



- 24/7 color imaging
- Active deterrence with red blue light, siren and alarm out interface
- Built-in mic
- Max. 20 fps@5MP
- 3.6 mm fixed lens (6 mm optional)
- 40 m illumination distance
- IP67, 12V±30% DC



## System Overview

This model supports active deterrence feature which warns off intruders with red blue light and siren even before users are aware of the incident. It is able to alert intruder accurately by SMD Plus or Perimeter Protection of XVR. This camera is an ideal choice for applications which require intrusion protect and video verification, such as courtyards, offices, warehouses, stores.

## Functions

### 4 Signals over 1 Coaxial Cable

HDCVI technology supports 4 signals to be transmitted over 1 coaxial cable simultaneously, such as video, audio\*, data and power. Dual-way data transmission allows the HDCVI camera to interact with the HCVR, such as sending control signal or triggering alarm. Moreover, HDCVI technology supports PoC for construction flexibility.

\* Audio input is available for some models of HDCVI cameras.

### Long Distance Transmission

HDCVI technology guarantees real-time transmission at long distance without any loss. It supports up to 700 m transmission for 5MP HD video overcoaxial cable, and up to 300 m over UTP cable.\*

\*Actual results verified by real-scene testing in Dahua's test laboratory.

### Simplicity

HDCVI technology inherits the born feature of simplicity from traditional analog surveillance system, making itself a best choice for investment protection. HDCVI system can seamlessly upgrade the traditional analog system without replacing existing coaxial cabling. The plug and play approach enables full HD video surveillance without the hassle of configuring a network.

### Active Deterrence

Active deterrence is to warn off intruders actively with red blue light and siren even before users are aware of the incidence. Once an intrusion is detected, the red blue light will flash and the siren will buzzer to alert the intruder. The content of siren is configurable.

### Full-color

The camera adopts F1.2 large aperture lens and 1/2.7" high performance sensor. With higher amount of absorbed light and advanced image processing algorithm, the camera can be able to present 24/7 colored image that provides color details to accurately identify people or objects in low light conditons.

### Warm Supplemental lights

With two warm supplemental LED lights, the camera is able to provide a colorful and vivid image even in total darkness. It also provides visible by default, the camera is set to smart light mode, in which the camera can automatically adjust the exposure time and light sensitivity simultaneously to avoid overexposure of the objects in the image center. Also, the sensitivity and intensity of the LED lights can be remotely controlled by OSD menu.

### Protection

The camera's outstanding reliability is unsurpassed due to its rugged design. The camera is protected against water and dust with IP67, making it suitable for indoor or outdoor environments.

Supporting ±30% input voltage tolerance, this camera suits even the most unstable power supply conditions. Its 4KV lightning rating provides protection against the camera and its structure from the effects of lightning.

## Technical Specification

### Camera

Image Sensor	1/2.7" CMOS
Max. Resolution	2592 (H) × 1944 (V)
Pixel	5MP
Scanning System	Progressive
Electronic Shutter Speed	PAL: 1/25 s–1/100000 s NTSC: 1/30 s–1/100000 s
S/N Ratio	>65 dB
Min. Illumination	0.005 Lux/F1.2, 0 Lux warm light on
Illumination Distance	40 m (131.2 ft)
Illumination Type	Warm light
Illuminator On/Off Control	Auto; manual
Illuminator Number	2 (Warm light)
Pan/Tilt/Rotation Range	Pan: 0°–360° Tilt: 0°–180° Rotation: 0°–360°

### Lens

Lens Type	Fixed-focal				
Mount Type	M12				
Focal Length	3.6 mm; 6 mm				
Max. Aperture	3.6 mm: F1.2 6 mm: F1.2				
Field of View	3.6 mm: H: 83°; V: 60°; D: 112° 6 mm: H: 53°; V: 40°; D: 66°				
Iris Type	Fixed iris				
Close Focus Distance	3.6 mm: 1.9 m (6.23 ft) 6 mm: 4.5 m (14.76 ft)				
DORI Distance	Lens	Detect	Observe	Recognize	Identify
	2.8 mm	77.8 m (255.3 ft)	31.1 m (102.0 ft)	15.6 m (51.2 ft)	7.8 m (25.6 ft)
	3.6 mm	120 m (393.7 ft)	48 m (157.5 ft)	24 m (78.7 ft)	12 m (39.4 ft)

### Video

Frame Rate	CVI: 5M@20 fps, 4M@25 fps/30 fps, 1080p@25 fps/30 fps; AHD: 5M@20 fps; TVI: 5M@20 fps; CVBS: 960H
Resolution	5M (2592 × 1944); 4M (2560 × 1440); 1080p (1920 × 1080); 960H (960 × 576/960 × 480)
BLC Mode	BLC/HLC/DWDR
WDR	DWDR
White Balance	Auto/Manual
Gain Control	Auto/Manual

Noise Reduction	2D
Smart Light	Yes
Mirror	Off/On
Privacy Masking	Off/On (8 Area, Rectangle)

### Certifications

Certifications	CE (EN55032:2015, EN61000-3-2:2014, EN61000-3-3:2013, EN55024:2010+A1:2015, EN 55035:2017, EN50130-4:2011+A1:2014) FCC (CFR 47 FCC Part 15 subpartB, ANSI C63.4-2014) UL (UL60950-1+CAN/CSA C22.2 No.60950-1) IEC 62368-1:2014 (Second Edition)
----------------	--

### Port

Video Output	1 BNC output Support CVI/TVI/AHD/CVBS
Audio Input	Built-in mic
Alarm out	1ch alarm out

### Active Deterrence

Red/Blue Light Warning	Flash: 5 s–30 s; frequency: high/medium/low
Sound Warning	Audio 1/2/3; Volume: high/medium/low; duration: 5 s–30 s; 110 dB

### Power

Power Supply	12V ±30% DC
Power Consumption	Max 7.7W (12V DC, warm light on)

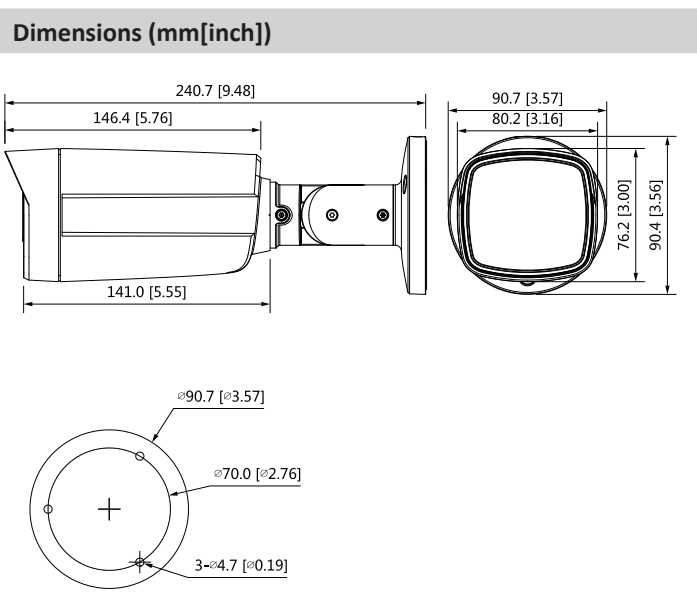
### Environment

Operating Temperature	–40°C to +60°C (–40°F to 140°F); <95% (non-condensation)
Storage Temperature	–40°C to +60°C (–40°F to 140°F); <95% (non-condensation)
Ingress Protection	IP67

### Structure

Casing	Cover: Metal Rear: Plastic Pedestal: Plastic
Camera Dimensions	240.7 mm × Ø90.7 mm (9.48" × Ø3.57")
Net Weight	0.44 kg (0.97 lb)
Gross Weight	0.70 kg (1.54 lb)

Ordering Information		
Type	Part Number	Description
5M Camera	DH-HAC-ME1509THP-A-PV	5MP HDCVI Full-Color Active Deterrence Fixed Bullet Camera, PAL
	DH-HAC-ME1509THN-A-PV	5MP HDCVI Full-Color Active Deterrence Fixed Bullet Camera, NTSC
Accessories	PFA13G	Junction Box
	PFA130-E	IP66 Junction Box
	PFA152-E	Pole Mount Bracket
	PFM321D	12V 1A Power Adapter
	PFM904	Integrated Mount Tester
	PFM800-4K	1-CH Passive Video Balun
	DH-ARA11	Indoor Siren
DH-ARA16	Outdoor Siren	



**Accessories**

**Optional:**

